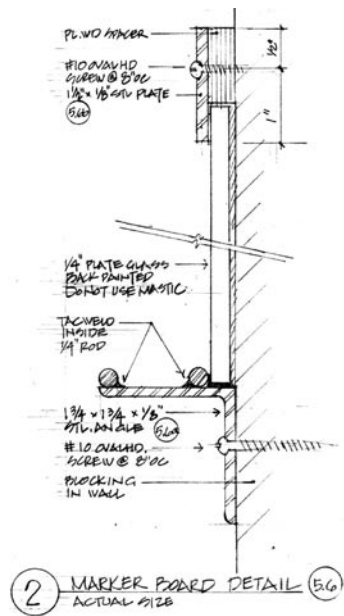
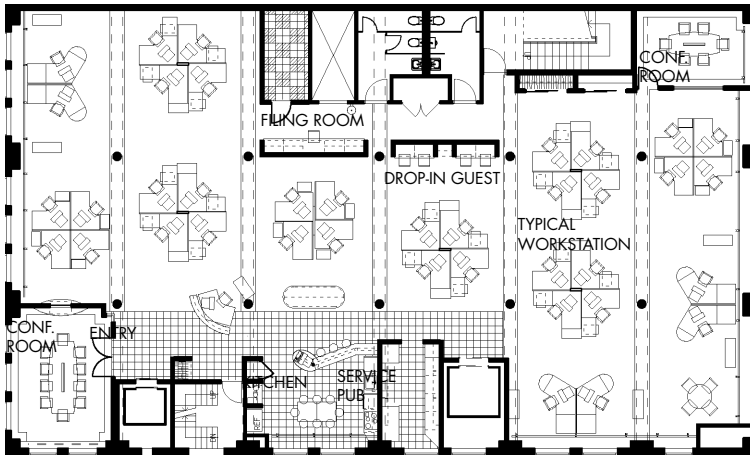


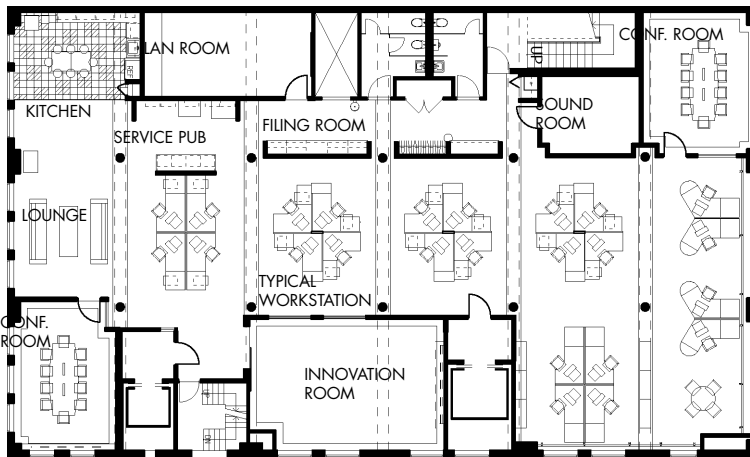
1 SECTION - WINDOW SILL AND HEAD  
3" = 1'-0"



2 MARKER BOARD DETAIL (S.G.)  
ACTUAL SIZE



SIXTH FLOOR PLAN



FIFTH FLOOR PLAN



Downtown, Pittsburgh, PA • 2000

Design of a 14,000 sf total two-story office space for a Boston-based internet consulting company, in downtown Pittsburgh.